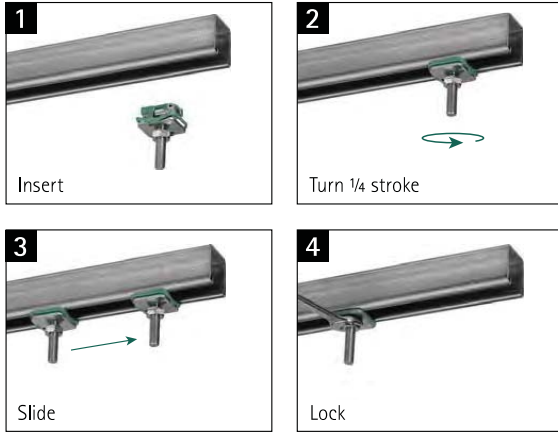


BIS RapidStrut® Info Page



The BIS RapidStrut® system consists of various rail profiles and an extensive range of accessories, such as slide nuts, T-bolt assemblies, ball swivel hangers and various rail connectors.

Insert, lock, done!

The accessories are pre-assembled and delivered 'ready-to-use' to the building site. The plastic spring allows the slide nut to be fixed into the rail easily. BIS RapidStrut® is so easy to use, that it is possible to save up to 40% in fixing time!

Your benefits:

- for all middle heavy and heavy rail applications
- accessories pre-assembled 'ready-to-use'
- quick and easy fixing to the rail
- accessories suitable for all Strut profiles
- saves up to 40% fixing time!

A fitting rail, for each application

The BIS RapidStrut® system offers an unprecedented choice for rail profiles and cantilever arms.

- all common Strut profiles (length 2 or 6 mtr.)
- Cantilever arms (various lengths)
- Rail-wall plate



Extensive range of accessories

BIS RapidStrut® offers accessories for:

■ Pipe fixing



■ Rail connection



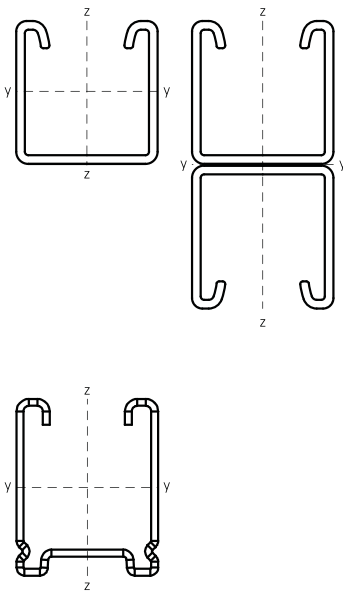
Subject to modifications



F BIS RapidStrut® Fixing System

Technical Details BIS RapidStrut® Rail

System BIS RapidStrut® - Table of rail section properties



Type	Weight (kg / m)	Moment of inertia cm ⁴		Section modulus cm ³	
		I _y	I _z	W _y	W _z
41x21 - 1,5	1,15	0,78	3,70	0,72	1,80
41x41 - 1,5	1,65	4,46	6,20	2,12	3,00
41x41 - 2,0	2,35	5,34	7,79	2,56	3,77
41x21 - 2,5	1,78	1,01	5,40	0,93	2,61
41x41 - 2,5	2,45	6,26	9,30	2,97	4,50
41x62 - 2,5	3,33	18,03	13,20	5,75	6,39
41x82 - 2,5	4,08	37,31	16,89	9,00	8,18
41x51 - 2,0 (DS 5)	2,62	8,81	9,49	3,44	4,60
41x21D - 2,5*	3,68	5,70	10,76	2,77	5,21
41x41D - 2,5*	5,24	36,79	18,56	8,91	8,99
41x62D - 2,5*	6,90	111,21	26,37	17,94	12,77
41x82D - 2,5*	8,46	240,93	33,90	29,38	16,42

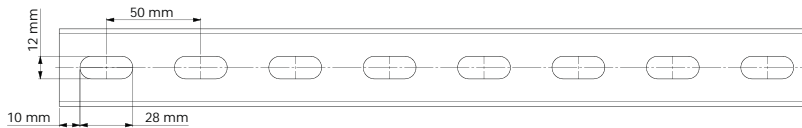
* non-perforated

The values of fixing rail in stainless steel are higher than those mentioned above. See Rail load tables for safe working loads.

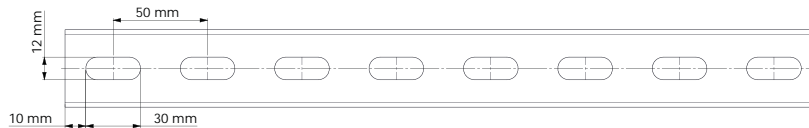
Perforation pattern for fixing to ceiling or wall.

Distance between rail end and first hole is always equal.

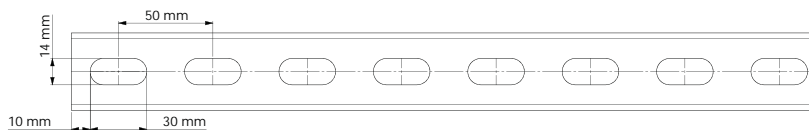
Support Channel - 1.5/2.0/2.5 mm



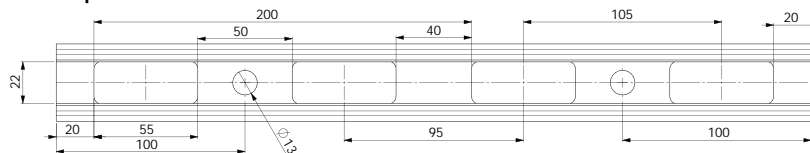
BIS RapidStrut - 1.5 mm



BIS RapidStrut - 2.0/2.5 mm



BIS RapidStrut DS5 - 2.0 mm



Subject to modifications

Applications

Air Conditioning equipment support



Hot Dipped Galvanized and stainless steel available that is highly protected against corrosion.

Pipe support with expansion movement capability



Complete pipe rings offer to be used in most of mechanical application.

Air Conditioning and ventilation supports



System specially developed for ventilation and AC application

Multi-service system in one support



Modular design reduces the need for detailed planning work. High strength and stability.

Seismic Restraint system



Seismic Restraint system is used to protect MEP system and equipment against earthquakes, to achieve life safety and minimise damages.

Subject to modifications