

BIS Rooftop + Solar Fixings



BIS Support System for Rooftop Installations	
BIS Yeti® 480 Support System (BUP1000)	154
BIS Yeti® 335 Support System (BUP1000)	155
BIS Yeti® 335 Frame Set	156
BIS Ursus Foot Support System (BUP1000)	157



BIS Solar Panel Fixings	
BIS Spectrum® PV Mounting System	158



BIS Thermal Panel Fixings	
BIS Solar Fixing Thermal Collector (BUP1000)	159

Subject to modifications

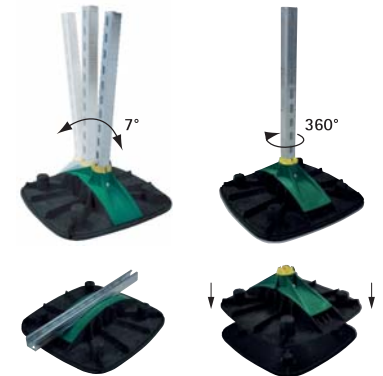
BIS Yeti® 480 Support System (BUP1000)

for Rooftop Installations



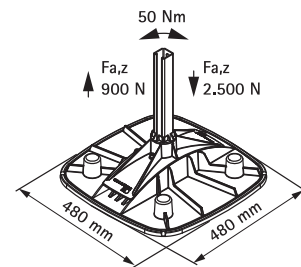
Features and Benefits

- modular supporting system for climate installations, solar panels, walkways, pipe work, cable ways, etc.
- for flat and low pitched roofs
- adjustable up to 7° to compensate roof pitch
- 360° rotatable insert for BIS RapidStrut® 41x41 or BIS RapidStrut® DS 5 (41x52 mm)
- with non-slip anti-vibration mat
- with optional stackable ballast block for increased weight / stability
- mouldings made of WPC, a composite of recycled plastic and wood fibre
- resistant to UV and chemical influences
- BIS Yeti 480 H-set consisting of:
 - 2 x BIS Yeti® 480 vertical, including non-slip anti-vibration mat (made of rubber)
 - 2 x BIS Strut Rail End Cap
 - 2 x BIS Strut Connector 90°
 - 6 x hexagon head bolts and slide nuts



Part No.	Model	For Rail	Pack 1	Pack 2
6768 5 001	Vertical, including non-slip anti-vibration mat	Strut 41x41 + DS 5 (41x51)	1	25
6768 5 101	Horizontal, including non-slip anti-vibration mat	Strut 41x41 + DS 5 (41x51)	1	30
6768 5 301	H-set (without Strut Rail)	Strut 41x41 + DS 5 (41x51)	1	-
6768 5 401	Ballast block	-	1	100

Fa,z load is break load only, for a detailed load calculation please contact Walraven technical support. In cases where a foot is used in roof applications, the installer is obliged to verify maximum load capacity of roof before installation.



BIS Yeti[®] 335 Support System (BUP1000)

for Rooftop Installations

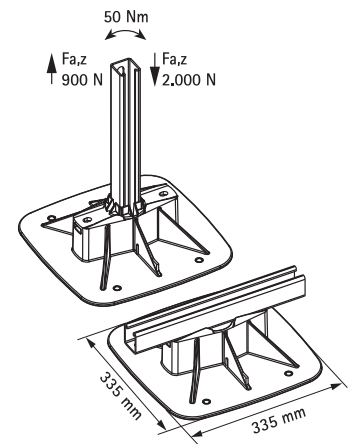


Features and Benefits

- modular supporting system for climate installations, solar panels, walkways, pipe work, cable ways, etc.
- for flat roofs
- for horizontal and vertical applications
- 360° rotatable insert for BIS RapidStrut[®] 41x41 or BIS RapidStrut[®] DS 5 (41x52 mm)
- with non-slip anti-vibration mat
- mouldings made of WPC, a composite of recycled plastic and wood fibre
- resistant to UV and chemical influences
- BIS Yeti 335 H-set consisting of:
 - 2 x BIS Yeti[®] 335 including non-slip anti-vibration mat (made of rubber)
 - 2 x BIS Strut Rail End Cap
 - 2 x BIS Strut Connector 90°
 - 6 x hexagon head bolts and slide nuts

Part No.	Model	For Rail	Pack 1	Pack 2
6768 5 201	Including non-slip anti-vibration mat	Strut 41x41 + DS 5 (41x51)	1	75
6768 5 211	Including non-slip anti-vibration mat	Strut 41x41 + DS 5 (41x51)	2	54
6768 5 302	H-set (without Strut Rail)	Strut 41x41 + DS 5 (41x51)	1	27

Fa,z load is break load only, for a detailed load calculation please contact Walraven technical support. In cases where a foot is used in roof applications, the installer is obliged to verify maximum load capacity of roof before installation.



BIS Yeti® 335 Frame Set

for Rooftop Installations

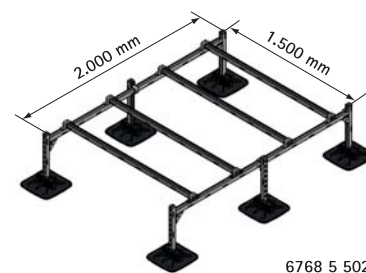
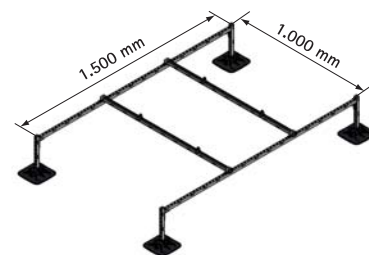


Features and Benefits

- complete set for supporting installation appliances on flat roofs
- suitable for wide range of commonly used airco's, ventilation units, etc.
- with non-slip anti-vibration mat
- predefined load capacity: calculation not necessary
- device can't be heavier than 150 kg
- top of device can't be higher than 1.2 m over the roof level
- mouldings made of WPC, a composite of recycled plastic and wood fibre

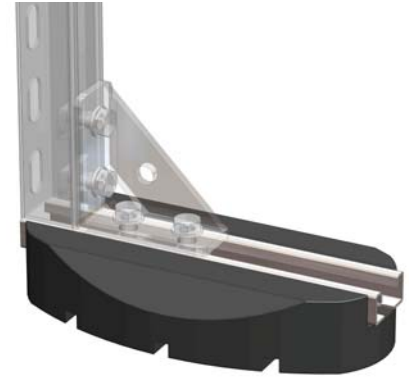
Part No.	Model	Pack 1
6768 5 501	BIS Yeti® 335 for 1 installation appliance	1
6768 5 502	BIS Yeti® 335 for 2 installation appliances	1

*Before mounting, the roof load capacity has to be confirmed by a structural engineer.
If changes to the mounting parameters is necessary then please contact Walraven Technical Department.*



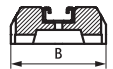
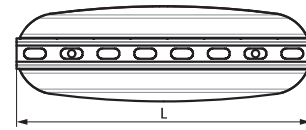
BIS Ursus Foot Support System (BUP1000)

for Rooftop Installations



Features and Benefits

- for supporting small pipework systems, ductwork runs and cable trays
- to support climate installations, walkways on flat roofs, etc.
- does not penetrate the waterproof membrane
- material: vulcanized rubber, black; Strut Rail made of steel 1.0242
- UV resistant
- Strut Rail: surface protection:
 - product is part of the BIS UltraProtect® 1000 system
 - suitable for in- and outdoor applications
 - stands min. 1,000 hours salt spray test (max. 5% red rust) according to ISO 9227



Part No.	Model	L	B (mm)	H (mm)	Fa,z (N)	Pack 1	Pack 2
6768 7 250	Horizontal, including rail	250 mm	130	50	1.000	1	400
6768 7 400	Horizontal, including rail	400 mm	130	50	2.000	1	350
6768 7 600	Horizontal, including rail	600 mm	240	95	3.000	1	80

Fa,z load is break load only, for a detailed load calculation please contact Walraven technical support. In cases where a foot is used in roof applications, the installer is obliged to verify maximum load capacity of roof before installation.

BIS Spectrum[®] PV Mounting System



Features and Benefits

- solid construction
- quick and easy assembly
- minimum ballast
- non-penetrating system

Part No.	Model	Pack 1
790 9 900	BIS Spectrum [®] Mounting Unit	1
790 8 100	BIS Spectrum [®] Universal Clip	1
790 8 615	BIS Spectrum [®] Rail	1
790 8 101	BIS Spectrum [®] Rail Connector	1

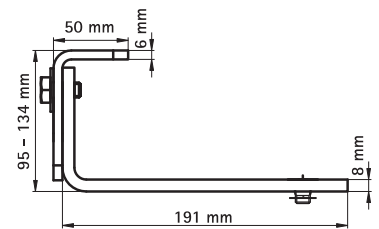
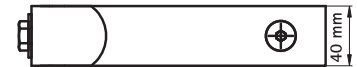
BIS Solar Fixing Thermal Collector (BUP1000)



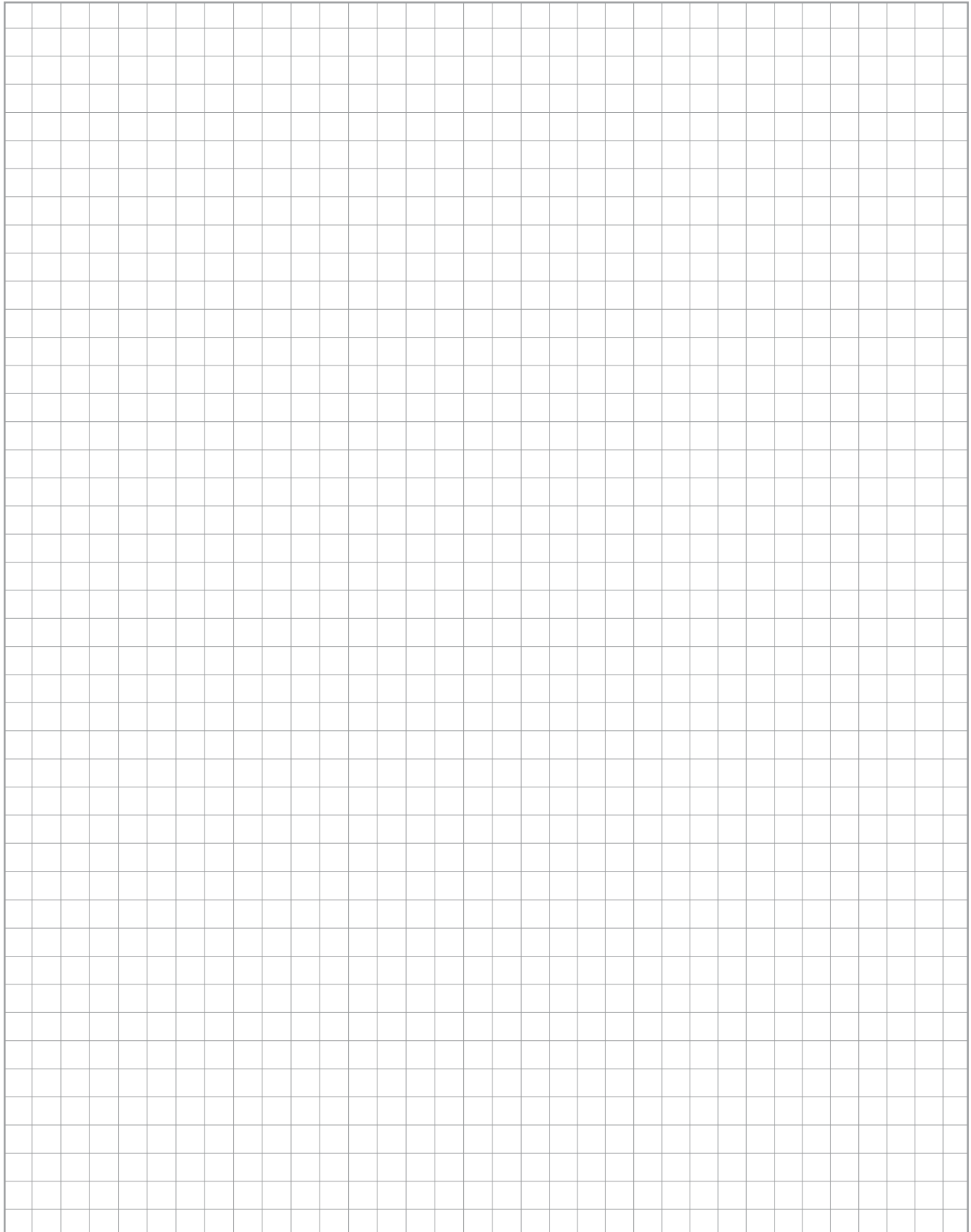
Features and Benefits

- to fix thermal solar collectors to the building
- quick installation
- suitable for solar collectors in thickness 80 - 110 mm
- material: steel 1.0037; bolts made of stainless steel
- surface protection:
 - product is part of the BIS UltraProtect® 1000 system
 - suitable for in- and outdoor applications
 - stands min. 1,000 hours salt spray test (max. 5% red rust) according to ISO 9227

Part No.	Pack 1
790 0 000	10



Notes

A large grid area for taking notes, consisting of a 20x20 grid of small squares. A small grey square is located to the left of the top-left corner of the grid.

Subject to modifications