

A BIS Metal Pipe Clamps with Lining



BIS Clamps
EPDM Lined Split Clamp 8



BIS Industrial Clamps
BIS Heavy Duty Clamp HD1501 (M8/10, M10/12) (BUP1000) 9
BIS Heavy Duty Clamp HD1501 (M16) (BUP1000) 10



BIS Sprinkler Clamps
EPDM Lined Sprinkler Clamp 11



U Bolt Clamps
EPDM Lined U Bolt 12
EPDM Two Bolt Clamp 13



BIS Industrial Saddles
EPDM Lined Riser Clamp 14



U-Strap Clamp
EPDM Lined U-Strap Clamp 15



Clevis Hangers
EPDM Lined Clevis Hanger 17

Subject to modifications

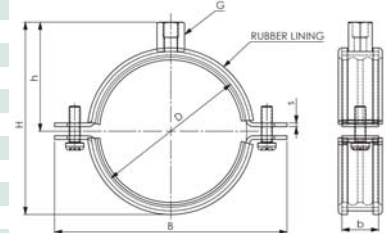
EPDM Lined Split Clamp



Features and Benefits

- lock bolts with combi cross recessed head
- for horizontal and vertical applications
- profiled for extra strength
- screws secured with anti-loss washer
- material: steel
- electrogalvanized as per ASTM B 633 Standards (SC3), BS 1706 FE/ZN 12
- temperature resistance from -20 °C to +110 °C
- noise insulating lining, EPDM, black
- noise reduction up to 18dB (A)

Part No.	D (mm)	D (")	Dia (mm)	G	B (mm)	H (mm)	h (mm)	b x s (mm)	Fa,z (N)	Pack 1
DM C21 5 018	15 - 19	3/8	15	M8	60	36	26	19 x 1.2	1,500	450
DM C21 5 022	20 - 25	1/2	22	M8	65	43	29	19 x 1.2	1,500	400
DM C21 5 028	26 - 30	3/4	28	M8	70	50	32	19 x 1.2	1,500	350
DM C21 5 035	32 - 36	1	35	M8	85	56	36	19 x 1.2	1,500	300
DM C21 5 040	38 - 43	1 1/4	42	M8	92	63	39	19 x 1.2	1,500	250
DM C21 5 048	47 - 51	1 1/2	48	M8	98	72	42	19 x 1.2	1,500	200
DM C21 5 054	53 - 58	-	54	M8	104	75	45	19 x 1.2	1,500	200
DM C21 5 060	60 - 64	2	60	M8	110	81	48	19 x 1.2	1,500	125
DM C21 5 063	63 - 66	-	63	M8	115	88	51	19 x 1.2	1,500	125
DM C21 5 070	68 - 72	-	70	M8	120	91	53	19 x 1.2	1,500	125
DM C21 5 075	74 - 80	2 1/2	75	M8/10	125	96	56	19 x 1.5	2,000	100
DM C21 5 083	81 - 86	-	83	M8/10	139	108	60	19 x 1.5	2,000	100
DM C21 5 090	87 - 92	3	90	M8/10	146	111	63	19 x 1.5	2,000	100
DM C21 5 100	99 - 105	3 1/2	100	M8/10	156	121	68	19 x 1.5	2,000	75
DM C21 5 110	107 - 112	-	110	M8/10	166	131	73	19 x 1.5	2,000	75
DM C21 5 115	113 - 118	4	115	M8/10	171	136	76	19 x 1.5	2,000	70
DM C21 5 125	125 - 130	-	125	M8/10	181	146	81	19 x 2.0	2,000	70
DM C21 5 133	131 - 137	-	133	M8/10	184	154	85	19 x 2.0	2,000	50
DM C21 5 140	138 - 142	5	140	M8/10	196	161	88	19 x 2.0	2,000	50
DM C21 5 150	148 - 153	-	150	M8/10	206	171	93	19 x 2.0	2,000	50
DM C21 5 160	159 - 166	-	160	M8/10	216	181	98	19 x 2.0	2,000	50
DM C21 5 168	168 - 172	6	168	M8/10	224	189	102	19 x 2.0	2,000	50
DM C21 5 200	200 - 212	-	200	M8/10	256	221	118	19 x 2.0	3,000	50
DM C21 5 220	215 - 220	8	220	M8/10	276	241	128	19 x 2.0	3,000	40
DM C21 5 250	249	-	250	M8/10	306	271	143	19 x 2.0	3,000	40
DM C21 5 315	313 - 318	-	315	M8/10	371	336	176	19 x 2.0	3,000	25



Hot Dip Galvanized and Stainless Steel option available on request.
 With connection nut M8/M10, M10/M12 available on request.
 With M6 Side Nuts available on request.
 This series replaces part number DMC115 series.

Subject to modifications

BIS Heavy Duty Clamp HD1501 (BUP1000)

for metal pipes Ø 15 - 227 mm

M8/10

M10/12



Features and Benefits

- two-part clamp with two locking bolts
- up to and including 5": locking nut is captive, hidden in plastic holder
- heavy design
- bolts secured with anti-loss washer
- with CO₂ welded connection nut
- material: steel
- noise insulating lining, EPDM rubber, black
- also available: noise insulating lining of silicone rubber (reddish brown), heat resistant up to +200 °C (A 35 15)
- age resistant lining
- surface protection:
 - product is part of the BIS UltraProtect® 1000 system
 - suitable for in- and outdoor applications
 - stands min. 1,000 hours salt spray test (max. 5% red rust) according to ISO 9227
 - sound insulating lining according DIN 4109
 - tested for fire safety

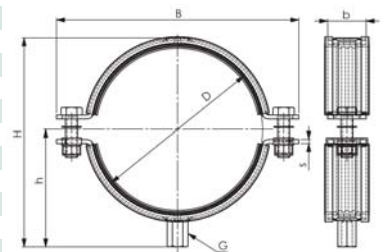


RAL-GZ 655/B
Cert.Nr. 2011-12a



RAL-GZ 656
Cert.Nr. 2011-14

Part No.	D (mm)	D (")	DN (mm)	G	B (mm)	H (mm)	h (mm)	b x s (mm)	Fa,z RAL (N)	Pack 1
3313 8 019	15 - 19	3/8	10	M8/10	81	55	35	30 x 2,5	1,500 RAL ²	25
3313 8 023	19 - 23	1/2	15	M8/10	84	58	37	30 x 2,5	1,500 RAL ²	25
3313 8 029	25 - 29	3/4	20	M8/10	91	64	40	30 x 2,5	1,500 RAL ²	25
3313 8 035	30 - 35	1	25	M8/10	98	70	43	30 x 2,5	1,500 RAL ²	25
3313 8 045	40 - 45	1 1/4	32	M8/10	109	80	48	30 x 2,5	1,500 RAL ²	25
3313 8 051	46 - 51	1 1/2	40	M8/10	115	86	51	30 x 2,5	1,500 RAL ²	25
3313 8 059	53 - 59	-	-	M8/10	122	93	55	30 x 2,5	1,500 RAL ²	25
3313 8 064	59 - 64	2	50	M8/10	129	99	57	30 x 2,5	1,500 RAL ²	25
3314 8 071	65 - 71	-	-	M10/12	136	116	71	30 x 3,0	2,300 RAL ²	25
3314 8 078	72 - 78	2 1/2	65	M10/12	144	123	74	30 x 3,0	2,300 RAL ²	25
3314 8 085	79 - 85	-	-	M10/12	152	130	78	30 x 3,0	2,300 RAL ²	25
3314 8 092	86 - 92	3	80	M10/12	159	136	81	30 x 3,0	2,300 RAL ²	25
3314 8 109	101 - 109	-	-	M10/12	175	154	90	30 x 3,0	2,300 RAL ²	25
3314 8 116	108 - 116	4	100	M10/12	182	160	93	30 x 3,0	2,300 RAL ²	25
3314 8 133	125 - 133	-	-	M10/12	200	178	102	30 x 3,0	2,300 RAL ²	25
3314 8 140	132 - 140	5	125	M10/12	207	184	104	30 x 3,0	2,300 RAL ²	15
3314 8 169	159 - 169	6	150	M10/12	254	223	124	38 x 4,0	2,300 RAL ²	15
3314 8 188	178 - 188	-	-	M10/12	274	242	133	38 x 4,0	2,300 RAL ²	15
3314 8 204	194 - 204	-	-	M10/12	290	258	141	38 x 4,0	2,300 RAL ²	15
3314 8 213	203 - 213	-	-	M10/12	299	267	146	38 x 4,0	2,300 RAL ²	15
3314 8 227	217 - 227	8	200	M10/12	322	282	152	38 x 4,0	2,300 RAL ²	2



RAL² = tested, certified and externally monitored according to RAL-GZ 655/B and RAL-GZ 656.
For detailed technical information about our RAL marked products, please see the RAL datasheet in our webcatalogue: www.walraven.com/gb/en/catalogue/.

Subject to modifications

BIS Heavy Duty Clamp HD1501 (BUP1000)

for metal pipes Ø 217 - 509 mm

M16



Features and Benefits

- two-part clamp with two locking bolts
- heavy design
- bolts secured with anti-loss washer
- with CO₂ welded connection nut
- material: steel
- noise insulating lining, EPDM rubber, black
- also available: noise insulating lining of silicone rubber (reddish brown), heat resistant up to +200 °C (A 35 15)
- age resistant lining
- surface protection:
 - product is part of the BIS UltraProtect® 1000 system
 - suitable for in- and outdoor applications
 - stands min. 1,000 hours salt spray test (max. 5% red rust) according to ISO 9227
- sound insulating lining according DIN 4109
- tested for fire safety

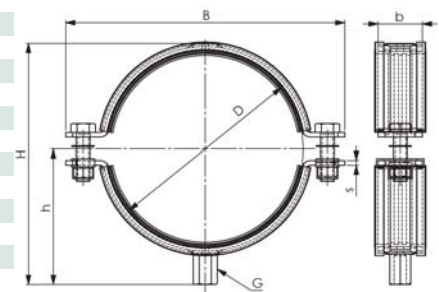


RAL-GZ 655/B
Cert.Nr. 2011-12a



RAL-GZ 656
Cert.Nr. 2011-14

Part No.	D (mm)	D (")	DN (mm)	G	B (mm)	H (mm)	h (mm)	b x s (mm)	Fa,z (N)	RAL	Pack 1
3316 8 169	159 - 169	6	150	M16	254	220	120	38 x 4,0	3.800	RAL ²	15
3316 8 188	178 - 188	-	-	M16	274	239	130	38 x 4,0	3.800	RAL ²	15
3316 8 204	194 - 204	-	-	M16	290	255	138	38 x 4,0	3.800	RAL ²	15
3316 8 213	203 - 213	-	-	M16	299	264	143	38 x 4,0	3.800	RAL ²	15
3316 8 227	217 - 227	8	200	M16	322	278	150	38 x 4,0	3.800	RAL ²	2
3316 8 250	240 - 250	-	-	M16	345	302	163	38 x 4,0	3.800	RAL ¹	2
3316 8 275	265 - 275	10	250	M16	367	327	175	48 x 5,0	9.200	RAL ¹	2
3316 8 325	315 - 325	12	300	M16	414	374	198	48 x 5,0	9.200	RAL ¹	2
3316 8 364	354 - 364	14	350	M16	453	412	217	48 x 5,0	9.200	RAL ¹	2
3316 8 408	398 - 408	16	400	M16	497	456	239	48 x 5,0	9.200	RAL ¹	2
3316 8 458	448 - 458	18	450	M16	548	506	264	48 x 5,0	9.200	RAL ¹	2
3316 8 509	499 - 509	20	500	M16	599	557	289	48 x 5,0	9.200	RAL ¹	2



RAL¹ = tested, certified and externally monitored according to RAL-GZ 655/B.

RAL² = tested, certified and externally monitored according to RAL-GZ 655/B and RAL-GZ 656.

For detailed technical information about our RAL marked products, please see the RAL datasheet in our webcatalogue: www.walraven.com/gb/en/catalogue/.

EPDM Lined Sprinkler Clamp



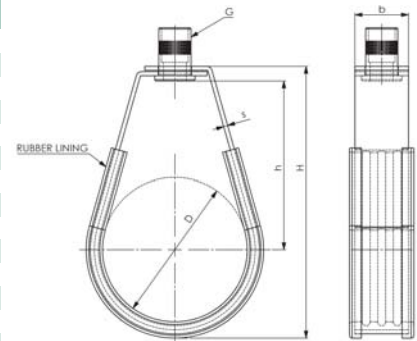
Features and Benefits

- for use in fire fighting and sprinkler installations
- easy to install and adjust, without tools
- high load capacity due to one piece design and side notches.
- knurled swivel nut allows vertical pipe alignment during and after installation
- material: steel
- pregalvanized as per ASTM A 653 G90
- noise insulating lining, EPDM, black
- noise reduction up to 18dB (A)
- designed to meet MSS standard SP-58 type10 and SP-69



Part No.	D (mm)	D (")	G	h (mm)	b x s (mm)	Fa,z Appr. (N)	Pack 1
DM C21 7 028	28	3/4	M10	61	20 x 1.5	3,000 FM, UL	400
DM C21 7 035	35	1	M10	68	20 x 1.5	3,000 FM, UL	300
DM C21 7 040	42	1 1/4	M10	61	20 x 1.5	3,000 FM, UL	250
DM C21 7 048	48	1 1/2	M10	81	20 x 1.5	3,000 FM, UL	200
DM C21 7 060	60	2	M10	100	20 x 1.5	3,000 FM, UL	180
DM C21 7 075	73	2 1/2	M10	120	32 x 2.0	4,500 FM, UL	75
DM C21 7 090	89	3	M10	135	32 x 2.0	4,500 FM, UL	60
DM C21 7 100	105	3 1/2	M10	150	32 x 2.0	4,500 FM, UL	40
DM C21 7 115	115	4	M10	165	32 x 2.5	5,500 FM, UL	40
DM C21 7 140	140	5	M12	195	40 x 2.5	6,500 FM, UL	25
DM C21 7 168	168	6	M12	320	40 x 3.0	7,500 FM, UL	20
DM C21 7 219	219	8	M12	290	50 x 3.0	9,000 FM, UL	10
DM C21 7 273	273	10	M12	315	50 x 3.0	9,000 -	8

Hot Dip Galvanized and Stainless Steel option available on request.
Made in UAE.



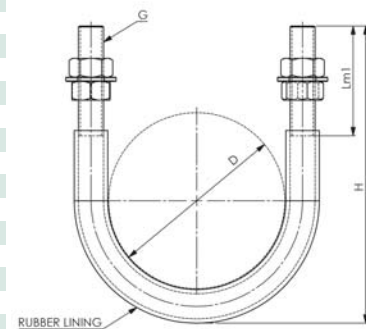
EPDM Lined U Bolt



Features and Benefits

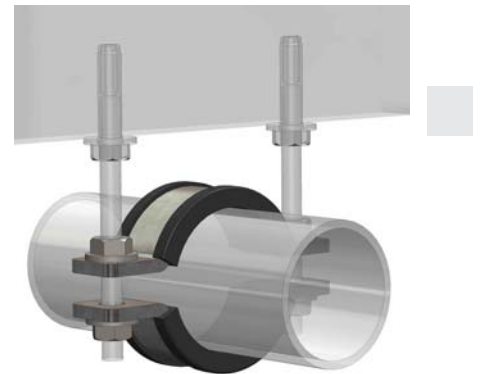
- high load capacity due to one piece design
- supplied with two or four nuts and two washes
- material: steel
- electrogalvanized as per ASTM B 633 Standards (SC3), BS 1706 FE/ZN 12
- noise insulating lining, EPDM, black
- designed to meet MSS Standard SP-58, type 24 and SP-69
- special U bolts with longer tangents and threads available on request
- temperature resistance from -20°C temp to +110°C

Part No.	D (mm)	D (")	G	H (mm)	Lm1 (mm)	Fa,z (N)	Pack 1
DM C24 4 022	21	1/2	M10	65	50	6,000	250
DM C24 4 028	27	3/4	M10	77	50	6,000	200
DM C24 4 035	34	1	M10	85	50	6,000	200
DM C24 4 042	43	1 1/4	M10	93	50	6,000	175
DM C24 4 048	48	1 1/2	M10	100	50	6,000	150
DM C24 4 060	60	2	M10	110	50	6,000	150
DM C24 4 075	76	2 1/2	M12	127	50	10,000	100
DM C24 4 090	89	3	M12	140	50	10,000	75
DM C24 4 115	115	4	M12	165	50	10,000	75
DM C24 4 140	140	5	M12	190	50	10,000	70
DM C24 4 168	168	6	M12	220	50	10,000	50
DM C24 4 219	219	8	M16	295	75	20,000	20
DM C24 4 273	273	10	M20	370	100	32,500	10
DM C24 4 324	324	12	M20	420	100	32,500	10
DM C24 4 356	356	14	M20	455	100	32,500	10
DM C24 4 406	406	16	M20	505	100	32,500	10
DM C24 4 457	457	18	M24	555	100	45,000	5
DM C24 4 508	508	20	M24	605	100	45,000	5
DM C24 4 610	610	24	M24	710	100	45,000	5



Hot Dip Galvanized option available on request.
Alternate rod sizes for different pipe sizes available on request.

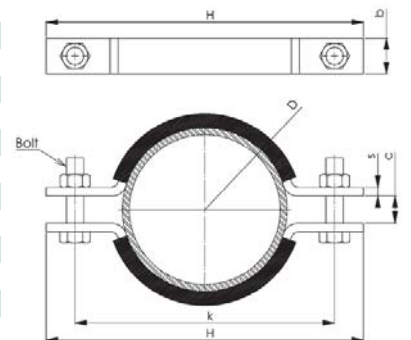
EPDM Lined Two Bolt Clamp



Features and Benefits

- designed to act as a horizontal support for heavier pipes
- two bolt arrangement provides sturdier support
- material: steel
- electrogalvanized as per ASTM B 633 Standards (SC3), BS 1706 FE/ZN 12
- temperature resistance from -20 °C to +110 °C
- noise insulating lining, EPDM, black
- noise reduction up to 18dB (A)
- designed to meet MSS Standard SP-58-2002, type 4 and SP-69

Part No	D (")	BOLT	bxs (mm)	k (mm)	H (mm)	C (mm)	Fa,z (N)	Pack 1
DMC212 022	1/2"	M10	25x5.0	68	97	12	1,700	60
DMC212 028	3/4"	M10	25x5.0	76	105	12	1,700	60
DMC212 035	1	M10	25x5.0	84	113	12	1,700	50
DMC 212 040	1-1/4"	M10	25x5.0	92	121	12	1,700	50
DMC212 048	1-1/2"	M10	25x5.0	98	127	12	1,700	40
DMC212 060	2"	M10	25x5.0	116	156	16	1,700	35
DMC212 075	2-1/2"	M12	25x6.0	142	182	16	4,000	35
DMC212 090	3"	M12	25x6.0	156	196	16	4,000	30
DMC212 100	3-1/2"	M12	25x6.0	168	208	16	4,000	30
DMC212 115	4"	M12	25x6.0	180	220	19	4,000	25
DMC212 140	5"	M16	40x6.0	214	252	19	6,000	20
DMC212 168	6"	M16	40x6.0	242	290	22	6,000	15
DMC212 220	8"	M16	40x9.0	152	352	25	11,000	10
DMC212 273	10"	M16	50x9.0	358	406	25	12,000	5
DMC212 323	12"	M20	50x12.0	430	490	25	15,000	4
DMC212 355	14"	M20	50x12.0	480	546	28	15,000	4
DMC212 406	16"	M20	60x16.0	532	597	28	22,000	2
DMC212 457	18"	M20	60x16.0	610	686	32	22,000	2
DMC212 508	20"	M20	60x16.0	680	776	35	22,000	1
DMC212 610	24"	M20	60x16.0	780	876	42	22,000	1



Hot Dip Galvanized and Stainless Steel option available on request.

EPDM Lined Riser Clamp

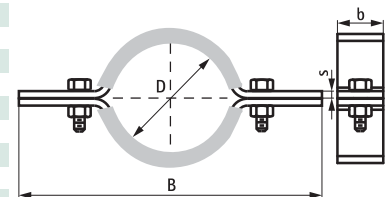
for all pipes



Features and Benefits

- designed to act as a rigid support or guide for vertical pipes
- suitable for use with all types of pipes
- material: steel
- electrogalvanized as per ASTM B 633 Standards (SC3), BS 1706 FE/ZN 12
- temperature resistance from -20 °C to +110 °C
- noise insulating lining, EPDM, black
- noise reduction up to 18dB (A)
- designed to meet MSS Standard SP-58-2002, type 8 and SP-69

Part No.	D (")	Bolt	B (mm)	b x s (mm)	Fa,z (N)	Pack 1
DM C11 2 022	1/2	M10	205	25 x 5.0	1,700	60
DM C11 2 028	3/4	M10	215	25 x 5.0	1,700	60
DM C11 2 035	1	M10	235	25 x 5.0	1,700	50
DM C11 2 040	1 1/4	M10	265	25 x 5.0	1,700	50
DM C11 2 048	1 1/2	M10	265	25 x 5.0	1,700	40
DM C11 2 060	2	M10	265	25 x 5.0	1,700	35
DM C11 2 075	2 1/2	M12	295	25 x 6.0	4,000	35
DM C11 2 090	3	M12	295	25 x 6.0	4,000	30
DM C11 2 100	3 1/2	M12	335	25 x 6.0	4,000	30
DM C11 2 115	4	M12	335	25 x 6.0	4,000	25
DM C11 2 140	5	M16	335	40 x 6.0	6,000	20
DM C11 2 168	6	M16	385	40 x 6.0	6,000	15
DM C11 2 220	8	M16	475	40 x 10.0	11,000	10
DM C11 2 273	10	M16	525	50 x 10.0	12,000	5
DM C11 2 323	12	M20	585	50 x 12.0	15,000	4
DM C11 2 355	14	M20	615	50 x 12.0	15,000	4
DM C11 2 406	16	M20	665	60 x 16.0	22,000	2
DM C11 2 457	18	M20	715	60 x 16.0	22,000	2
DM C11 2 508	20	M20	765	60 x 16.0	22,000	1
DM C11 2 610	24	M20	885	60 x 16.0	22,000	1



Hot Dip Galvanized and Stainless Steel option available on request.

Subject to modifications

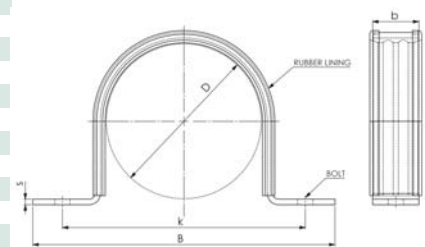
EPDM Lined U-Strap Clamp



Features and Benefits

- for mounting plain or insulated pipes
- slotted holes on both sides allow convenient installation
- material: steel
- electrogalvanized as per ASTM B 633 Standards (SC3), BS 1706 FE/ZN 12
- temperature resistance from -20 °C to +110 °C
- noise insulating lining, EPDM, black
- noise reduction up to 18dB (A)
- designed to meet MSS Standard SP-58, type 26 and SP-69

Part No.	D (mm)	D (")	Bolt	B (mm)	b x s (mm)	k (mm)	Fa,z (N)	Pack 1
DM C18 8 022	22	1/2	M8	79	25 x 2.0	54	5,500	500
DM C18 8 028	28	3/4	M8	85	25 x 2.0	60	5,500	400
DM C18 8 035	35	1	M8	92	25 x 2.0	67	5,500	400
DM C18 8 040	42	1 1/4	M8	99	25 x 2.0	74	5,500	350
DM C18 8 048	48	1 1/2	M8	105	25 x 2.0	80	5,500	300
DM C18 8 054	54	-	M8	111	25 x 2.0	86	5,500	250
DM C18 8 060	2	2	M8	117	25 x 2.0	92	5,500	200
DM C18 8 067	67	-	M8	124	25 x 2.0	99	5,500	200
DM C18 8 075	75	2 1/2	M8	148	25 x 3.0	116	6,500	150
DM C18 8 082	82	-	M8	155	25 x 3.0	123	6,500	150
DM C18 8 090	90	3	M8	163	25 x 3.0	131	6,500	150
DM C18 8 100	100	3 1/2	M8	173	25 x 3.0	141	6,500	150
DM C18 8 108	108	-	M8	181	25 x 3.0	149	6,500	125
DM C18 8 115	115	4	M8	188	25 x 3.0	156	6,500	125
DM C18 8 126	126	-	M10	199	25 x 3.0	167	6,500	125
DM C18 8 140	140	5	M10	213	25 x 3.0	181	6,500	100
DM C18 8 148	148	-	M10	221	25 x 3.0	189	6,500	100
DM C18 8 155	155	-	M10	228	25 x 3.0	196	6,500	100
DM C18 8 168	168	6	M10	240	25 x 3.0	208	6,500	100
DM C18 8 179	179	-	M10	252	25 x 3.0	220	6,500	100
DM C18 8 190	190	-	M10	263	38 x 3.0	231	9,000	50
DM C18 8 205	205	-	M10	278	38 x 3.0	246	9,000	50
DM C18 8 219	219	8	M10	292	38 x 3.0	260	9,000	50
DM C18 8 230	230	-	M10	303	38 x 3.0	271	9,000	30



Other dimensions on request.
Hot Dip Galvanized and Stainless Steel option available on request.

Subject to modifications

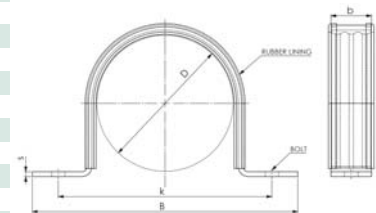
EPDM Lined U-Strap Clamp



Features and Benefits

- for mounting plain or insulated pipes
- slotted holes on both sides allow convenient installation
- material: steel
- electrogalvanized as per ASTM B 633 Standards (SC3), BS 1706 FE/ZN 12
- temperature resistance from -20 °C to +110 °C
- noise insulating lining, EPDM, black
- noise reduction up to 18dB (A)
- designed to meet MSS Standard SP-58, type 26 and SP-69

Part No.	D (mm)	D (")	Bolt	B (mm)	b x s (mm)	k (mm)	Fa,z (N)	Pack 1
DM C18 8 241	241	-	M12	335	38 x 4.0	294	13,500	35
DM C18 8 263	263	-	M12	357	38 x 4.0	316	13,500	35
DM C18 8 273	273	10	M18	367	38 x 4.0	326	13,500	35
DM C18 8 295	295	-	M18	389	38 x 4.0	348	13,500	30
DM C18 8 323	323	12	M18	417	38 x 4.0	376	13,500	30
DM C18 8 356	356	14	M18	450	50 x 4.0	409	19,000	10
DM C18 8 374	374	-	M18	468	50 x 4.0	427	19,000	15
DM C18 8 406	406	16	M18	500	50 x 4.0	459	19,000	15
DM C18 8 432	432	-	M18	526	50 x 4.0	485	19,000	15
DM C18 8 456	456	18	M18	550	50 x 4.0	509	19,000	10
DM C18 8 482	482	-	M18	576	50 x 4.0	535	19,000	10
DM C18 8 508	508	20	M18	602	50 x 4.0	561	19,000	10
DM C18 8 533	533	-	M18	627	50 x 4.0	586	19,000	10
DM C18 8 559	559	-	M18	653	50 x 4.0	612	19,000	10
DM C18 8 583	583	-	M18	677	50 x 4.0	636	19,000	10
DM C18 8 610	610	24	M18	704	60 x 4.0	663	19,000	10
DM C18 8 658	658	-	M18	769	50 x 6.0	721	24,000	5
DM C18 8 690	690	-	M18	801	50 x 6.0	753	24,000	5
DM C18 8 760	760	-	M18	870	50 x 6.0	823	24,000	5
DM C18 8 863	863	-	M18	974	50 x 6.0	926	24,000	5
DM C18 8 918	918	-	M18	1,029	50 x 6.0	981	24,000	5



Other dimensions on request.

Hot Dip Galvanized and Stainless Steel option available on request.

EPDM Lined Clevis Hanger

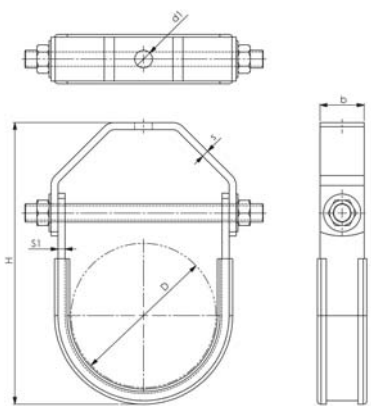


Features and Benefits

- designed for chilled water pipe work and fire fighting systems
- design permits vertical adjustment of pipe after installation
- hanger load nut above clevis must be tightened securely to ensure proper hanger performance
- material: steel
- electrogalvanized as per ASTM B 633 Standards (SC3), BS 1706 FE/ZN 12
- temperature resistance from -20 °C to +110 °C
- noise insulating lining, EPDM, black
- noise reduction up to 18dB (A)
- designed to meet MSS Standard SP-58, type 1 and SP-69



Part No.	D (mm)	D (")	Bolt	H (mm)	b (mm)	s (mm)	s1 (mm)	d1 (mm)	Fa,z Appr. (N)	Pack 1
DM C22 2 022	22	1/2	M8 x 60 mm	73	25	3.0	3.0	10	4,000 FM, UL	125 *
DM C22 2 028	28	3/4	M8 x 68 mm	79	25	3.0	3.0	10	4,000 FM, UL	125 *
DM C22 2 035	35	1	M8 x 78 mm	85	25	3.0	3.0	10	4,000 FM, UL	125 *
DM C22 2 040	42	1 1/4	M8 x 82 mm	95	25	3.0	3.0	10	4,000 FM, UL	125 *
DM C22 2 048	48	1 1/2	M8 x 88 mm	103	25	3.0	3.0	10	4,000 FM, UL	100 *
DM C22 2 060	60	2	M10 x 110 mm	120	25	3.0	3.0	10	4,000 FM, UL	75 *
DM C22 2 075	73	2 1/2	M10 x 125 mm	149	25	4.0	4.0	10	6,500 FM, UL	60 *
DM C22 2 090	89	3	M10 x 140 mm	176	25	4.0	4.0	10	6,500 FM, UL	50 *
DM C22 2 100	105	3 1/2	M10 x 155 mm	176	25	4.0	4.0	10	6,500 FM, UL	40 *
DM C22 2 115	115	4	M10 x 170 mm	201	32	6.0	6.0	10	8,000 FM, UL	20 *
DM C22 2 140	140	5	M12 x 195 mm	235	32	6.0	6.0	12	8,000 FM, UL	15 *
DM C22 2 168	168	6	M12 x 225 mm	269	40	6.0	5.0	12	11,000 FM, UL	10 *
DM C22 2 219	219	8	M12 x 275 mm	341	40	6.0	5.0	12	13,000 FM, UL	15 *
DM C22 2 273	273	10	M16 x 360 mm	422	40	6.0	6.0	16	13,000 -	10
DM C22 2 323	323	12	M20 x 420 mm	493	50	9.0	6.0	20	15,000 -	6
DM C22 2 355	355	14	M20 x 455 mm	559	50	9.0	6.0	20	15,000 -	6
DM C22 2 406	613	16	M24 x 510 mm	613	65	12.0	6.0	24	17,500 -	3
DM C22 2 457	457	18	M24 x 555 mm	678	65	12.0	6.0	24	17,500 -	3
DM C22 2 508	508	20	M24 x 610 mm	718	75	12.0	9.0	30	22,000 -	2
DM C22 2 610	610	24	M24 x 710 mm	853	75	16.0	9.0	30	27,000 -	2
DM C22 2 755	755	30	M24 x 890 mm	998	75	19.0	9.0	30	30,000 -	1

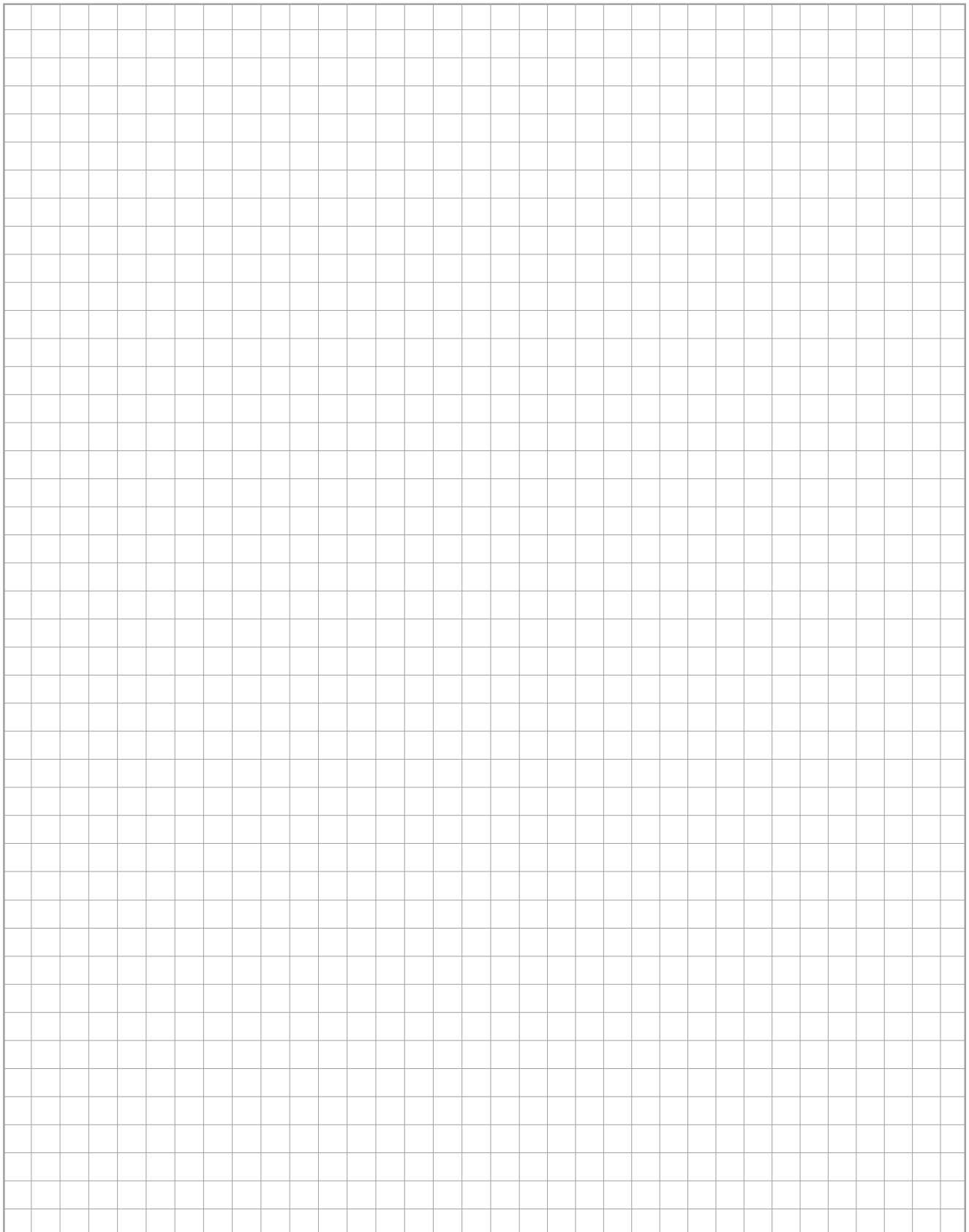


Hot Dip Galvanized and Stainless Steel option available on request.
 Custom made Clevis Hangers are available on request.

* = Made in UAE.

Subject to modifications

Notes

A large grid area for taking notes, consisting of 20 columns and 30 rows of small squares. A small grey square is located to the left of the top-left corner of the grid.

Subject to modifications