

# K BIS Fixing Accessories



**BIS Wall Plates**

|                             |     |
|-----------------------------|-----|
| BIS Wall Plates 670         | 162 |
| BIS Wall Plates 671 and 675 | 162 |



**BIS Screws, Bolts, Washers, Nuts**

|                                       |     |
|---------------------------------------|-----|
| BIS Suspension Eyes (Female Threaded) | 163 |
| Flat Washer                           | 163 |
| Hex Nut                               | 164 |
| Hardware Eye Rod                      | 164 |
| Hardware Turn Buckle                  | 165 |
| Hardware Forged Clevis                | 165 |



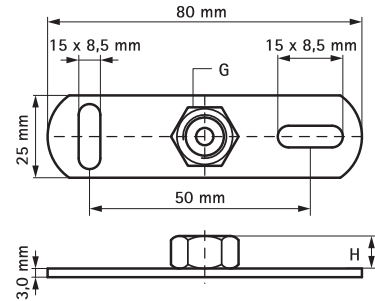
**BIS Stud Bolts, Stud Connectors**

|                        |     |
|------------------------|-----|
| BIS Threaded Rods      | 166 |
| Threaded Rod           | 167 |
| Hexagonal Coupling Nut | 167 |

Subject to modifications

## BIS Wall Plates 670

fixing to wall or ceiling



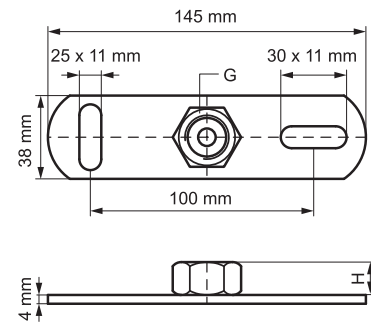
### Features and Benefits

- slots at 90° to each other to simplify fixing
- zinc plated
- with resistance welded connection nut
- material: steel

| Part No.  | G     | H (mm) | Fa,z (N) | Pack 1 | Pack 2 |
|-----------|-------|--------|----------|--------|--------|
| 670 3 006 | M6    | 6      | 2,500    | 50     | 250    |
| 670 3 008 | M8    | 8      | 2,500    | 50     | 250    |
| 670 3 009 | M8/10 | 18     | 2,500    | 50     | 250    |
| 670 3 010 | M10   | 10     | 2,500    | 50     | 250    |
| 670 3 012 | M12   | 12     | 2,500    | 50     | 250    |
| 670 3 016 | M16   | 13     | 2,500    | 50     | 250    |
| 670 3 021 | G½"   | 15     | 2,500    | 50     | 250    |

## BIS Wall Plates 671 and 675

fixing to wall or ceiling



### Features and Benefits

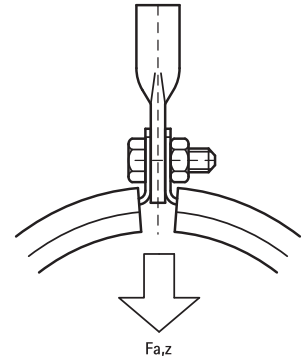
- slots at 90° to each other to simplify fixing
- Part No. 671 9 OXX: with CO<sub>2</sub> welded connection nut
- material: steel
- Part No. 671 3 OXX: with resistance welded connection nut
- zinc plated

| Part No.  | Type | G   | H (mm) | Fa,z (N) | Pack 1 |
|-----------|------|-----|--------|----------|--------|
| 671 3 008 | 671  | M8  | 8      | 3.800    | 40     |
| 671 3 010 | 671  | M10 | 10     | 3.800    | 40     |
| 671 3 012 | 671  | M12 | 10     | 3.800    | 40     |
| 671 3 016 | 671  | M16 | 13     | 3.800    | 50     |
| 671 3 021 | 671  | G½" | 15     | 3.800    | 50     |
| 671 9 012 | 675  | M12 | 14     | 6.000    | 50     |
| 671 9 016 | 675  | M16 | 17     | 6.000    | 50     |
| 671 9 021 | 675  | G½" | 19     | 6.000    | 50     |
| 671 9 027 | 675  | G¾" | 22     | 6.000    | 50     |
| 671 9 033 | 675  | G1" | 24     | 6.000    | 50     |

# BIS Suspension Eyes

to make a suspension point

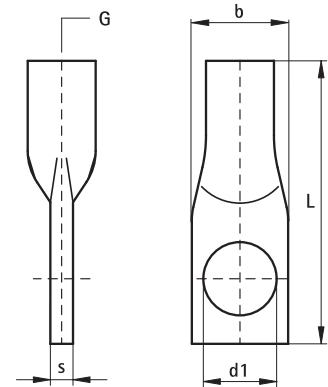
680



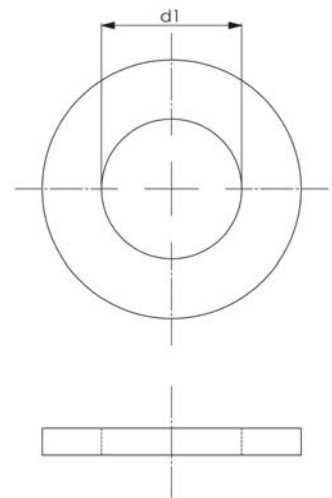
## Features and Benefits

- closed design to maximize loading
- zinc plated
- material: steel

| Part No.  | G   | L     | b x s<br>(mm) | d1<br>(mm) | Fa,z<br>(N) | Pack 1 | Pack 2 |
|-----------|-----|-------|---------------|------------|-------------|--------|--------|
| 680 3 008 | M8  | 45 mm | 13,5 x 3,5    | Ø 8.5      | 2.580       | 100    | 500    |
| 680 3 010 | M10 | 50 mm | 17,0 x 4,0    | Ø 10.5     | 3.540       | 100    | 500    |
| 680 3 012 | M12 | 55 mm | 20,5 x 5,5    | Ø 10.5     | 7.750       | 100    | 500    |



# Flat Washer



## Features and Benefits

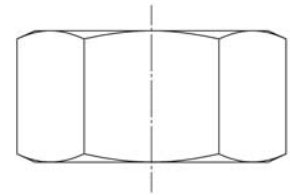
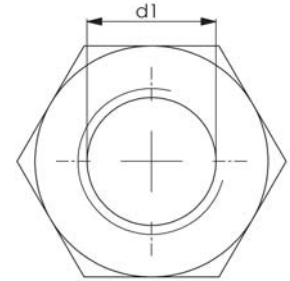
- material: steel
- zinc plated

| Part No.   | d1<br>(mm) |
|------------|------------|
| DMC3 3 206 | 6          |
| DMC3 3 208 | 8          |
| DMC3 3 210 | 10         |
| DMC3 3 212 | 12         |
| DMC3 3 216 | 16         |
| DMC3 3 218 | 18         |
| DMC3 3 220 | 20         |
| DMC3 3 222 | 22         |
| DMC3 3 224 | 24         |

Hot Dip Galvanized and Stainless Steel option available on request.

Subject to modifications

## Hex Nut

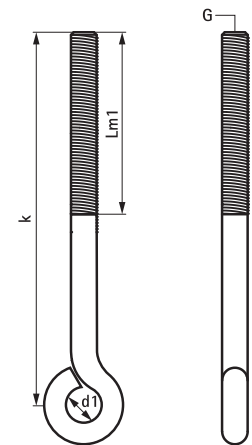


### Features and Benefits

- material: steel
- zinc plated

| Part No.   | G   |
|------------|-----|
| DMC3 3 106 | M6  |
| DMC3 3 108 | M8  |
| DMC3 3 110 | M10 |
| DMC3 3 112 | M12 |
| DMC3 3 116 | M16 |
| DMC3 3 118 | M18 |
| DMC3 3 120 | M20 |
| DMC3 3 122 | M22 |
| DMC3 3 124 | M24 |

## Hardware Eye Rod

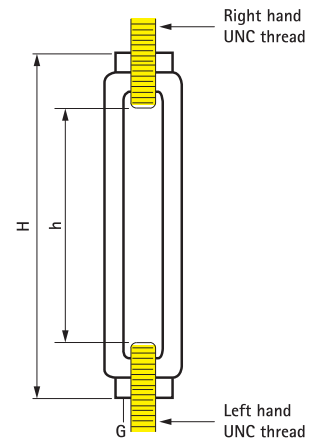


### Features and Benefits

- structural attachment as a hanger rod
- electrogalvanized as per ASTM B 633 Standards (SC3), BS 1706 FE/ZN 12

| Part No.     | G   | d1<br>(mm) | Lm1<br>(mm) | k<br>(mm) | Fa,z<br>(N) |
|--------------|-----|------------|-------------|-----------|-------------|
| DM C43 2 100 | M10 | 22         | 65          | 100       | 1,000       |
| DM C43 2 150 | M10 | 22         | 65          | 150       | 1,000       |
| DM C43 2 200 | M10 | 22         | 65          | 200       | 1,000       |

## Hardware Turn Buckle

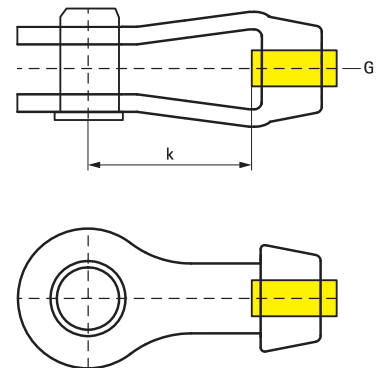


### Features and Benefits

- used to provide vertical adjustment up to 140 mm
- ends are threaded in opposite directions
- designed to meet MSS Standard SP-58, type 13

| Part No.   | G   | H (mm) | h (mm) | Fa,z (N) |
|------------|-----|--------|--------|----------|
| DMC4 3 010 | M10 | 180    | 145    | 5,000    |
| DMC4 3 012 | M12 | 190    | 145    | 10,000   |
| DMC4 3 016 | M16 | 200    | 140    | 16,000   |
| DMC4 3 020 | M20 | 210    | 140    | 25,000   |
| DMC4 3 022 | M22 | 220    | 140    | 32,500   |

## Hardware Forged Clevis



### Features and Benefits

- used to attach to vertical plates that have been welded to structure or pipe
- designed to meet MSS Standard SP-58, type 14

| Part No.   | G   | k (mm) | Fa,z (N) |
|------------|-----|--------|----------|
| DMC4 3 110 | M10 | 90     | 2,500    |
| DMC4 3 112 | M12 | 90     | 5,000    |
| DMC4 3 116 | M16 | 90     | 8,000    |
| DMC4 3 120 | M20 | 100    | 12,000   |
| DMC4 3 122 | M22 | 100    | 17,000   |
| DMC4 3 125 | M25 | 125    | 22,000   |
| DMC4 3 132 | M32 | 125    | 36,000   |
| DMC4 3 138 | M38 | 150    | 50,000   |
| DMC4 3 145 | M45 | 150    | 70,000   |
| DMC4 3 160 | M60 | 175    | 90,000   |

Subject to modifications

## BIS Threaded Rods

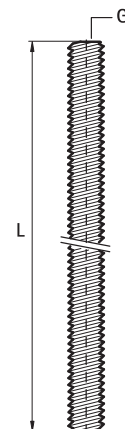
fixing to rail, wall plates, etc.



### Features and Benefits

- according to DIN 976-1
- material: steel
- zinc plated
- tested for fire safety

| Part No.  | Type      | G   | L   | BndS |
|-----------|-----------|-----|-----|------|
| 630 3 006 | DIN 976-1 | M6  | 1 m | 100  |
| 630 3 206 | DIN 976-1 | M6  | 2 m | 50   |
| 630 3 306 | DIN 976-1 | M6  | 3 m | 50   |
| 630 3 008 | DIN 976-1 | M8  | 1 m | 50   |
| 630 3 208 | DIN 976-1 | M8  | 2 m | 25   |
| 630 3 308 | DIN 976-1 | M8  | 3 m | 25   |
| 630 3 010 | DIN 976-1 | M10 | 1 m | 25   |
| 630 3 210 | DIN 976-1 | M10 | 2 m | 20   |
| 630 3 310 | DIN 976-1 | M10 | 3 m | 20   |
| 630 3 012 | DIN 976-1 | M12 | 1 m | 20   |
| 630 3 212 | DIN 976-1 | M12 | 2 m | 15   |
| 630 3 312 | DIN 976-1 | M12 | 3 m | 15   |
| 630 3 014 | DIN 976-1 | M14 | 1 m | 10   |
| 630 3 016 | DIN 976-1 | M16 | 1 m | 10   |
| 630 3 216 | DIN 976-1 | M16 | 2 m | 10   |
| 630 3 316 | DIN 976-1 | M16 | 3 m | 1    |
| 630 3 018 | DIN 976-1 | M18 | 1 m | 10   |
| 630 3 020 | DIN 976-1 | M20 | 1 m | 5    |
| 630 3 024 | DIN 976-1 | M24 | 1 m | 5    |



## Threaded Rod

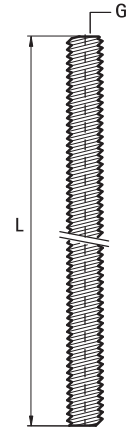


### Features and Benefits

- material: steel
- zinc plated

| Part No.   | G   | L    |
|------------|-----|------|
| DMC3 3 006 | M6  | 2 m. |
| DMC3 3 008 | M8  | 2 m. |
| DMC3 3 010 | M10 | 2 m. |
| DMC3 3 012 | M12 | 2 m. |
| DMC3 3 016 | M16 | 2 m. |
| DMC3 3 018 | M18 | 2 m. |
| DMC3 3 020 | M20 | 2 m. |
| DMC3 3 022 | M22 | 2 m. |
| DMC3 3 024 | M24 | 2 m. |
| DMC3 3 030 | M30 | 2 m. |

Hot Dip Galvanized and Stainless Steel option available on request.



## Hexagonal Coupling Nut



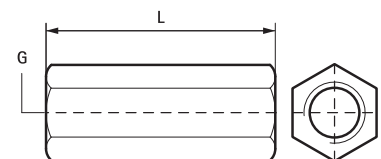
### Features and Benefits

- to connect 2 male threaded components
- material: steel
- zinc plated

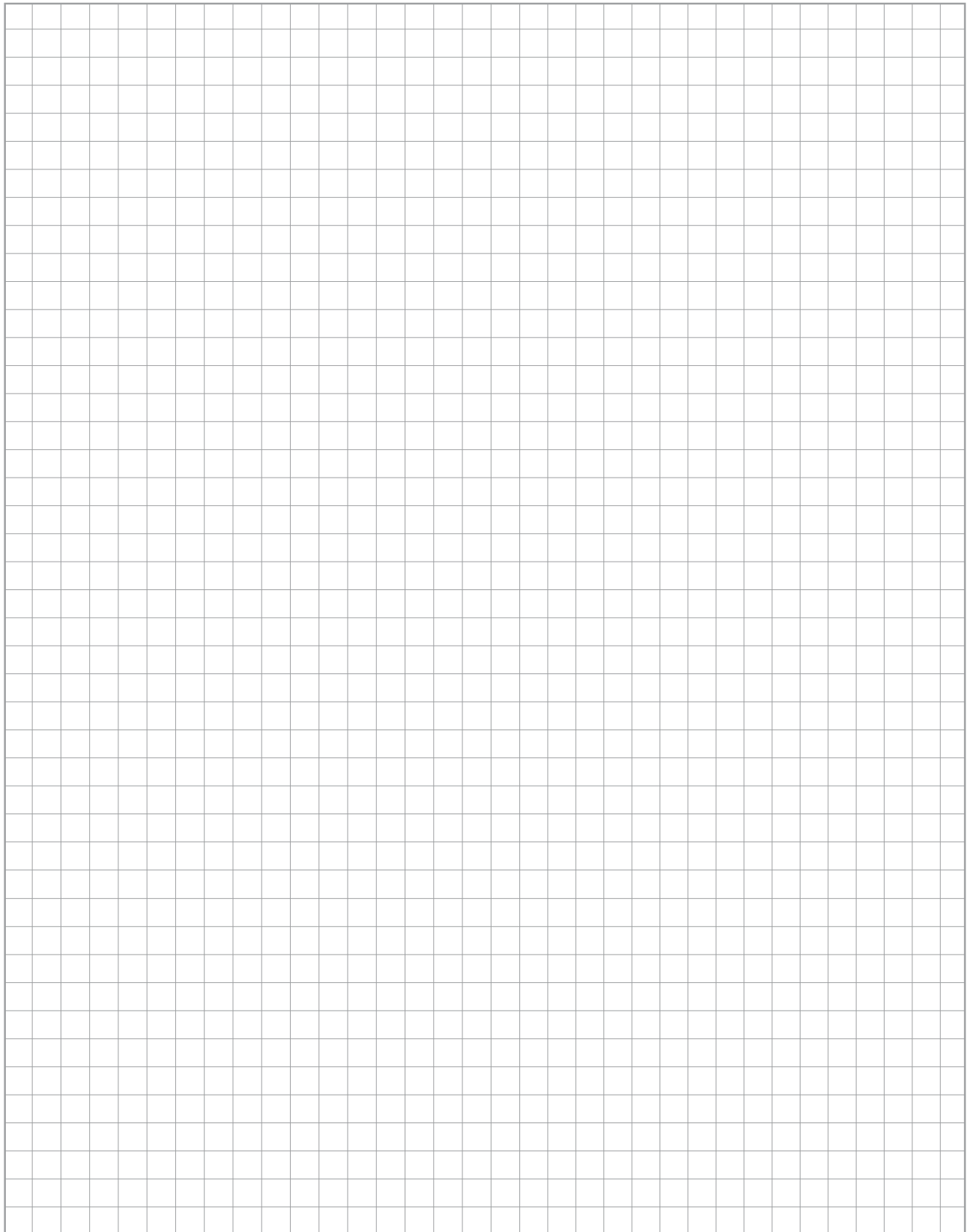
| Part No.     | G   | L     |
|--------------|-----|-------|
| DM C33 7 006 | M6  | 22 mm |
| DM C33 7 008 | M8  | 22 mm |
| DM C33 7 010 | M10 | 44 mm |
| DM C33 7 012 | M12 | 44 mm |
| DM C33 7 016 | M16 | 53 mm |
| DM C33 7 018 | M18 | 56 mm |
| DM C33 7 022 | M22 | 65 mm |
| DM C33 7 024 | M24 | 65 mm |

Subject to modifications

Hot Dip Galvanized and Stainless Steel option available on request.



# Notes



Subject to modifications